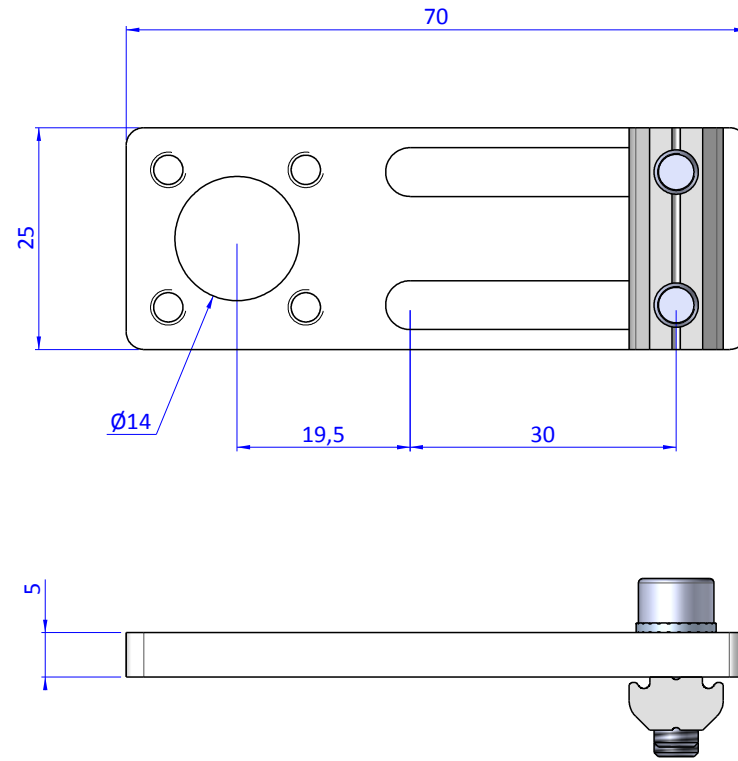
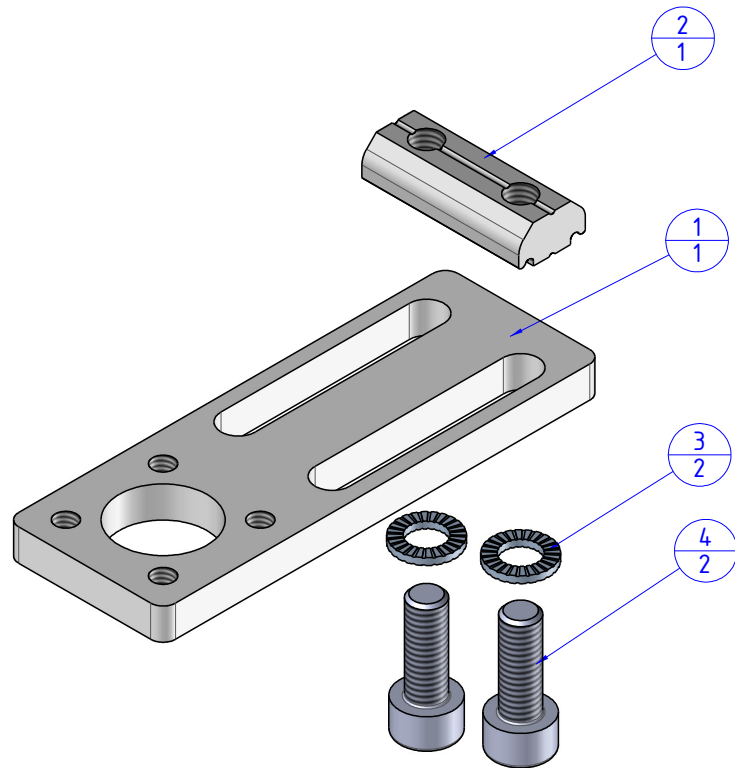



THE PROPERTY OF THE DRAWING IS ESTABLISHED BY LAW. IT IS FORBIDDEN TO PRODUCE OR SHOW IT TO THIRD PARTY, WITHOUT A WRITTEN AGREEMENT.

Item	Name	Q. ty
1	11.08.001	1
2	CA.GWP.5.15	1
3	R.5.SCH	2
4	V.TCE5x14	2



Format A3

UNI 936-76

 FPS SERVICES AUTOMATION		DESIGNED FROM FPS Automation		REVIEW A
GENERAL TOLERANCE UNI - ISO 2768 CLASSE f		DATE 07/06/2019	WEIGHT 0,035kg	CODE CA.11.08.001.X
DESCRIPTION CA.11.08.001.X				